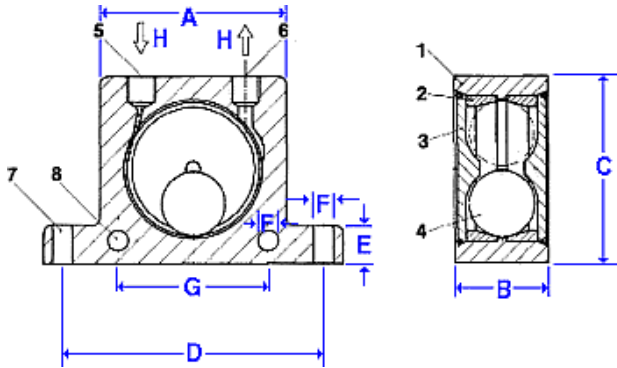


NK-Series Ball Vibrator



- Complete range to meet your needs
- Simplest version of vibrators
- Rotation frequency 7,000 to 35,000 RPM
- Centrifugal force 130 - 4,000 N

Specifications:



Construction:

- 1 - Extruded aluminum alloy body
- 2 - Hardened ground steel alloy races
- 3 - Nylon endplates
- 4 - Hardened lapped ball
- 5 - Air inlet
- 6 - Air exhaust
- 7 - Base mounting holes
- 8 - Lateral mounting holes

Dimensions:

Model	A		B		C		D		E		F		G		H	Weight	
	mm	in	mm	in	mm	in	mm	in	mm	in	mm	in	mm	in	BSP Thread	kg	Lbs
NK-8 NK-10	50	1.97	20	0.79	86	3.38	68	2.68	12	0.47	7	0.27	40	1.57	1/4"	0.130	0.29
NK-13 NK-16	65	2.56	24 27	0.94 1.06	113	4.45	90	3.54	16	0.63	9	0.35	50	1.97	1/4"	0.260 0.300	0.57 0.66
NK-20 NK-25	80	3.15	33 38	1.30 1.50	128	5.04	104	4.09	16	0.63	9	0.35	60	2.36	1/4"	0.530 0.630	1.17 1.39
NK-30 NK-36	100	3.94	44 50	1.73 1.97	160	6.30	130	5.12	20	0.79	11	0.43	80	3.15	3/8"	1.130 1.340	2.49 2.95

Performance:

Model	Frequency V.P.M. x 1000			Centrifugal force*						Air consumption / Minute					
	2 Bar 29 PSI	4 Bar 58 PSI	6 Bar 87 PSI	2 Bar N	29 PSI LBS	4 Bar N	58 PSI LBS	6 Bar N	87 PSI LBS	2 Bar Ltr.	29 PSI CF	4 Bar Ltr.	58 PSI CF	6 Bar Ltr.	87 PSI CF
NK-8	25.5	31.0	35.0	130	29	260	58	360	81	83	2.9	145	5.1	195	6.9
NK-10	22.5	28.0	34.0	250	26	470	106	710	160	92	3.2	150	5.3	200	7.1
NK-13	15.0	18.5	22.5	320	72	550	124	870	196	94	3.3	158	5.6	225	7.9
NK-16	13.0	17.0	19.5	450	101	800	180	1.100	248	122	4.3	200	7.1	280	9.9
NK-20	10.5	14.5	16.5	720	162	1.220	275	1.720	387	130	4.6	230	8.1	340	12.0
NK-25	9.2	12.2	14.0	930	209	1.570	353	2.050	461	160	5.6	290	10.2	425	15.0
NK-30	7.8	9.7	12.5	1.510	340	2.470	556	3.210	722	215	7.6	375	13.2	570	20.0
NK-36	7.3	9.0	10.0	2.060	464	3.150	709	4.050	911	260	9.2	475	16.8	675	24.0

* Data obtained with a Kistler 3-axis dynamometer on a heavy laboratory test block and displayed by Kistler control monitor (COMO). Frequency and force will decrease on a less rigid mount. Specifications subject to change without notice or obligation.

Huntsman, Inc. ▼ 2362 Warren Ave. ▼ Twin Falls, Idaho 83301

(877) 733-2214 ▼ (208) 733-2214 ▼ Fax (208) 733-2240

www.huntsmaninc.com ▼ mail@huntsmaninc.com