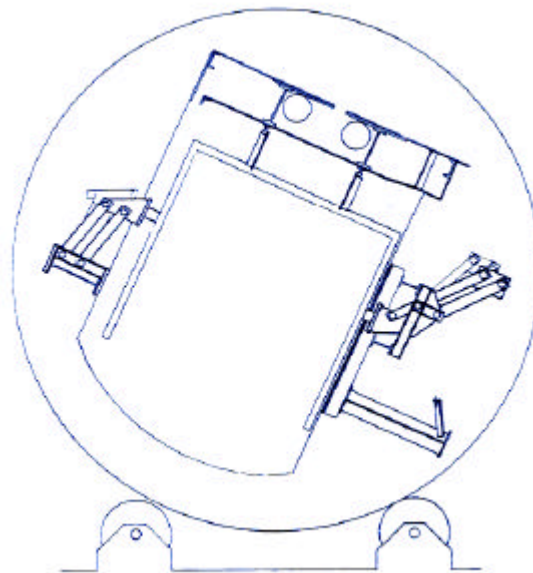
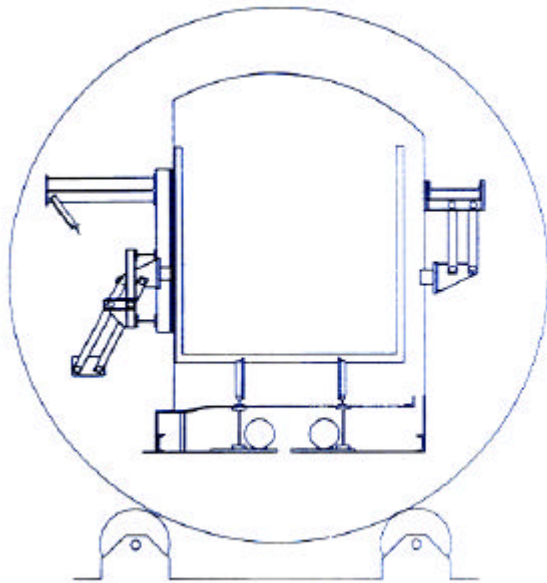




# Rotarymatic System

For Rotary Dump Railcar Unloading



The **NAVCO**<sup>®</sup> Rotarymatic System for railcars is designed to assist in the removal of residual material from railcars while unloading in rotary dumps.

-  Reduces carry-back and optimizes freight dollars.
-  Integrates easily into the unloading process without adding time to the dump cycle.

Drives: Pendulum Type (2)

Drives: Counterweight Type (2)

Drive Type: Pneumatic Piston

Air Reqs: 200 cfm @ 100 psi

Instantaneous, 5 sec on time per dump cycle

Electric Reqs: 120 VAC

Controls: Automatic, Semi-Auto & Manual

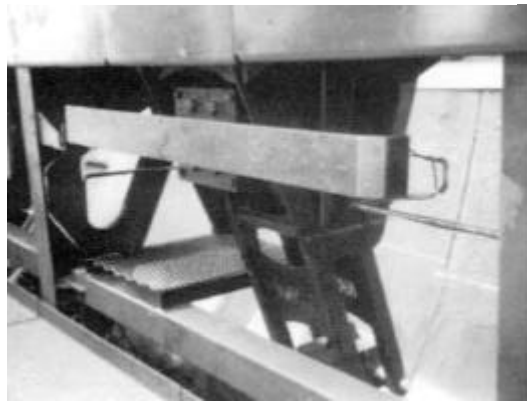
## Rotarymatic System

The **NAVCO® Rotarymatic System** for railcars is a permanently mounted vibratory system that applies high amplitude, low frequency linear vibration directly to railcars while being unloaded in a rotary dumper. The System includes four drive assemblies for each railcar; two per side. The **Rotarymatic** drive assemblies are designed to maximize the vibration transmitted into the material and to isolate vibration from the dump structure.

**Fulcrum Drive Assemblies** are installed on the spill girder side of the dumper. These drive assemblies are counterweighted so as the dumper rotates the counterweights drop and the drive extends and engages the railcar. When the dumper is in the upright position, the counterweight holds the drive in the retracted position. There are two Fulcrum Drive Assemblies for each railcar.



*Rotary Pendulum Drive Assembly*



*Rotary Fulcrum Drive Assembly*

**Pendulum Drive Assemblies** are installed on the opposite side of the dumper. These units swing freely and engage the railcar by gravity alone during rotation. When the dumper is in the upright position, the pendulum drive assemblies swing into retracted position. There are two Pendulum Drive Assemblies for each railcar.

The Rotarymatic Drive is a repetitive impulse Pneumatic piston Drive. This type of drive generates high amplitude, low frequency, linear vibration that is proven effective in promoting flow in bulk solid materials. **NAVCO® Pneumatic Piston Drives** have only one moving part, the piston. It is a low maintenance device that provides reliable service, even in severe conditions.

The standard **NAVCO® Rotarymatic System** includes four drive assemblies, an automatic direct lubrication injection system for the drives, and required valves and air line accessories.



**NAVCO® Pneumatic Piston Drive**

### Huntsman, Inc.

**2362 Warren Ave. ▼ Twin Falls, Idaho 83301**

**(877) 733-2214 ▼ (208) 733-2214 ▼ Fax (208) 733-2240**

**www.huntsmaninc.com ▼ mail@huntsmaninc.com**