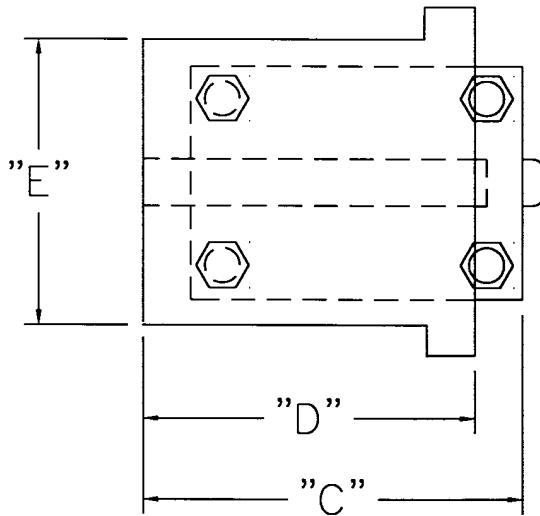


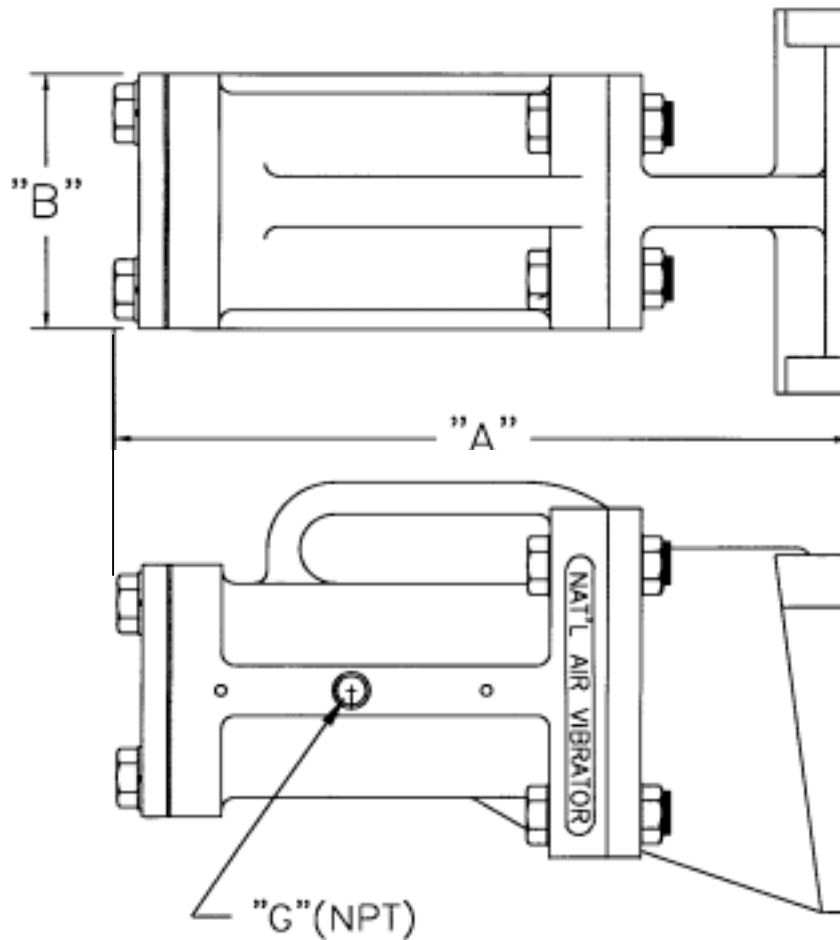
PORTABLE HOPPER CAR VIBRATORS

General Arrangement



Model	A	B	C	D	E	F	G*	Wt (Lbs.)
HCP 3"	14 ¼	5	8	7	6 ⅛	8	⅜	72
HCP 3" L	16 ½	5	8	7	6 ⅛	8	⅜	80
HCP 4"	16 ¼	8	9 ¼	7	6 ⅛	8	½	115

*Air Inlet Connection (N.P.T.)



Huntsman, Inc. ▼ 2362 Warren Ave. ▼ Twin Falls, Idaho 83301

(877) 733-2214 ▼ (208) 733-2214 ▼ Fax (208) 733-2240
 www.huntsmaninc.com ▼ mail@huntsmaninc.com