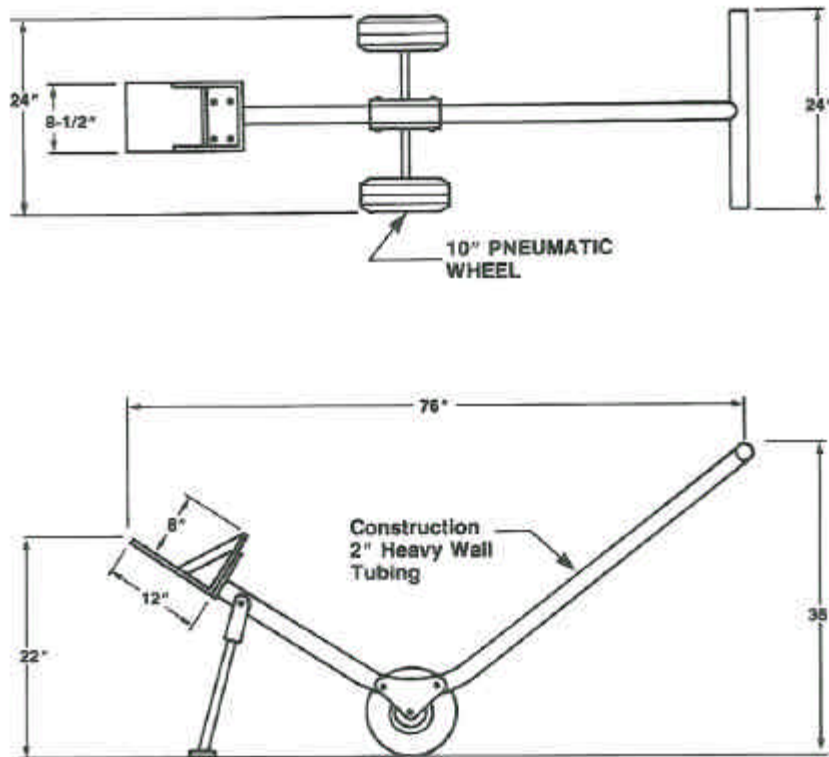


# Manual Lift Cart

for Rail Car Portable Vibrators

## FEATURES:

- Simple rugged design for easy use.
- Wide wheelbase designed for stability.
- Large wheels make rolling easy.
- Handle is ergonomically located for comfort.
- Smooth HCP lifting and lowering action.
- Ends lifting of heavy vibrators.
- Kick stand for safe, stable resting position.
- Moves any size HCP effortlessly.



## OPERATION

The HCP Manual Lift cart is simply rolled up to the HCP sitting in a dovetail bracket. Pressing down on the handlebars will raise the cradle and lift the HCP out of the dovetail bracket; the cart is then rolled backwards to disengage it from the railcar. The HCP can be placed on a dovetail bracket in the same fashion, by raising the cart's cradle over the bracket, pushing the cart forward slightly, then lowering the cradle.

## Move HCPs Effortlessly

Huntsman, Inc.

2362 Warren Ave. ▼ Twin Falls, Idaho 83301  
 (877) 733-2214 ▼ (208) 733-2214 ▼ Fax (208) 733-2240  
 www.huntsmaninc.com ▼ mail@huntsmaninc.com

**NAVCO**<sup>®</sup>  
 HOUSTON, TX