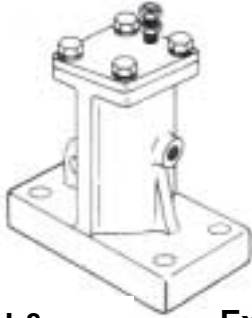


# PNEUMATIC PISTON VIBRATORS

## SPECIAL APPLICATION OPTIONS

### Single Tapped Exhaust Port in Head Plate (BH-1 thru BH-3 Long)

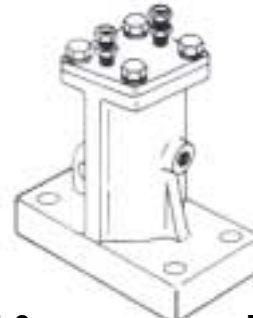
Can be used for a muffler, exhaust protector or a hose to direct exhaust.



<u>Model &amp; Piston Size</u>	<u>Exhaust Size (N.P.T.)</u>
BH-1"	1/8"
BH-1-1/4"	1/4"
BH-2"	1/4"
BH-3"	3/8"
BH-3" L	3/8"

### Dual Tapped Exhaust Port in Head Plate (BH-4 thru BH-8)

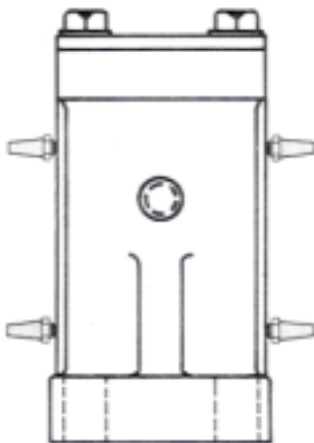
Can be used for a muffler, exhaust protector or a hose to direct exhaust.



<u>Model &amp; Piston Size</u>	<u>Exhaust Size (N.P.T.)</u>
BH-4"	3/8"
BH-5"	3/8"
BH-6"	1/2"
BH-8"	1/2"

### Four Tapped Exhaust Port in Standard Location (BH-1 thru BH-8)

Usually used for external exhaust protectors.



### Spring Option for Horizontal Mounting

Recommended when mounting in a horizontal position to ensure positive starting action.

