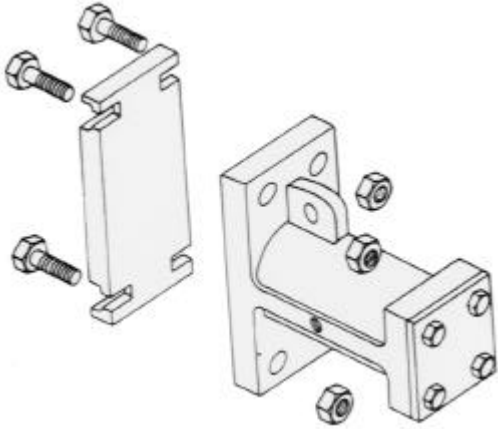
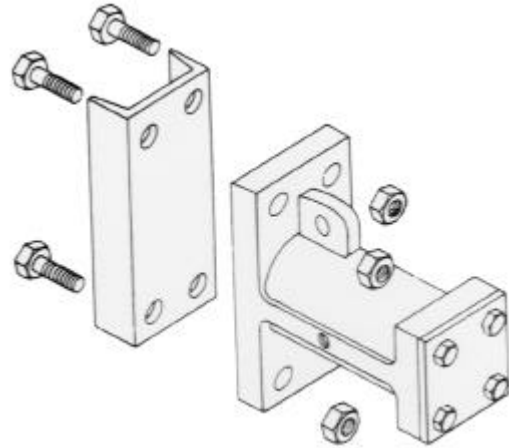


Pneumatic Piston Vibrators (BH)

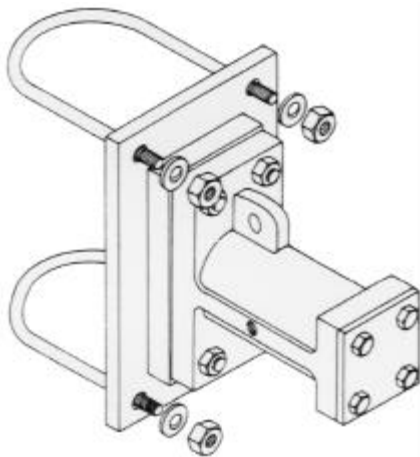
Mounting Accessories and Options



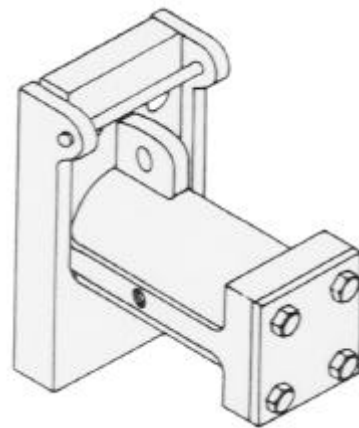
Bolt-Nut mounting with T-slotted plate for flat surfaces on square or rectangular bins. Available for BH 1 ¼" through BH 6" Vibrators. Complete with hex head cap screws and self-locking nuts.



Channel mounting for all curved surface bins or hoppers. Available for BH 1" through BH 8" Vibrators. Complete with hex head cap screws and self-locking nuts.



Pipe mounting clamps the vibrator to the pipe without welding. Available for most vibrators and pipe sizes. Prevents pipe scale build-up and plugging.



Slip mounting for flat surfaces on rectangular or square bins allows for easy removal of vibrator. Available for BH 1 ½" through BH 2" Vibrators.

NAVCO®

Huntsman, Inc. ▼ 2362 Warren Ave. ▼ Twin Falls, Idaho 83301

(877) 733-2214 ▼ (208) 733-2214 ▼ Fax (208) 733-2240

www.huntsmaninc.com ▼ mail@huntsmaninc.com