

# ONSTREAM FILTERS FOR LIQUID SERVICE

- One-Piece Bowl For Quick And Spill Free Element Service
- Extra Bottom Reservoir Capacity For Sediment Deposit Collection
- Integral Head Mounted Tie Rod For Easy Service
- Wide Variety Of Filter Elements Available
- 250 PSIG Maximum, 1/4" NPT Through 2" NPT Port Sizes
- Gauges, Slight Glass Columns, Flanges, O<sub>2</sub> Cleaning Available



Our Onstream Filter housing series is ideal for a variety of liquid purification solutions. The Onstream units are available in 304 stainless steel (S), 316 stainless steel (SS), cast iron head/carbon steel bowl (C), or brass head with a 304 stainless steel bowl (B). Port sizes range from 1/4" NPT up to 2" NPT.

The 1 1/2" and 2" port sizes are unique to UFS. The larger port sizes allow greater flexibility in providing the correct filter for the application. We can provide these housings with gauges, flanges, or sight glass columns.

Choose from double-open-end (DOE) disposable spun polypropylene or pleated elements, we also offer cost effective re-cleanable pleated stainless steel elements to cover all your requirements. Our elements range from 500-micron efficiency down to sub-micronic.

With our extensive range of housings and elements available these filters can be used for coolant, process water, paint, or petro-chemical applications. Our selection affords accurate solutions based upon the contaminates to be removed, the level of filtration, and the relative importance of cost, and element life.

Filtering Of:	Available Filter Elements:
▪ Process Water	▪ Spun Polypropylene
▪ Polymers	▪ Pleated Polypropylene
▪ Chemical Processing	▪ Carbon Adsorbent
▪ Solvents	▪ Pleated Stainless Steel
▪ Condensate Water	▪ Custom Material
▪ Food/Beverage	▪ Knock-Out Pots

Filter Element Types	Micron Sizes Available	Example Part Number
Spun polypropylene (P)	1, 5, 25, 50, 75, 150	LE-716-P10
Pleated polypropylene (PL)	0.5, 2, 10, 25, 50, 90	LE-716-10PL
Pleated stainless steel (SS)	1, 5, 10, 25, 50, 75, 100, 250	SS-816-25V
Carbon adsorbent (CC)	5 Micron Prefilter w/ adsorbent	(viton seals) LE-716-CC



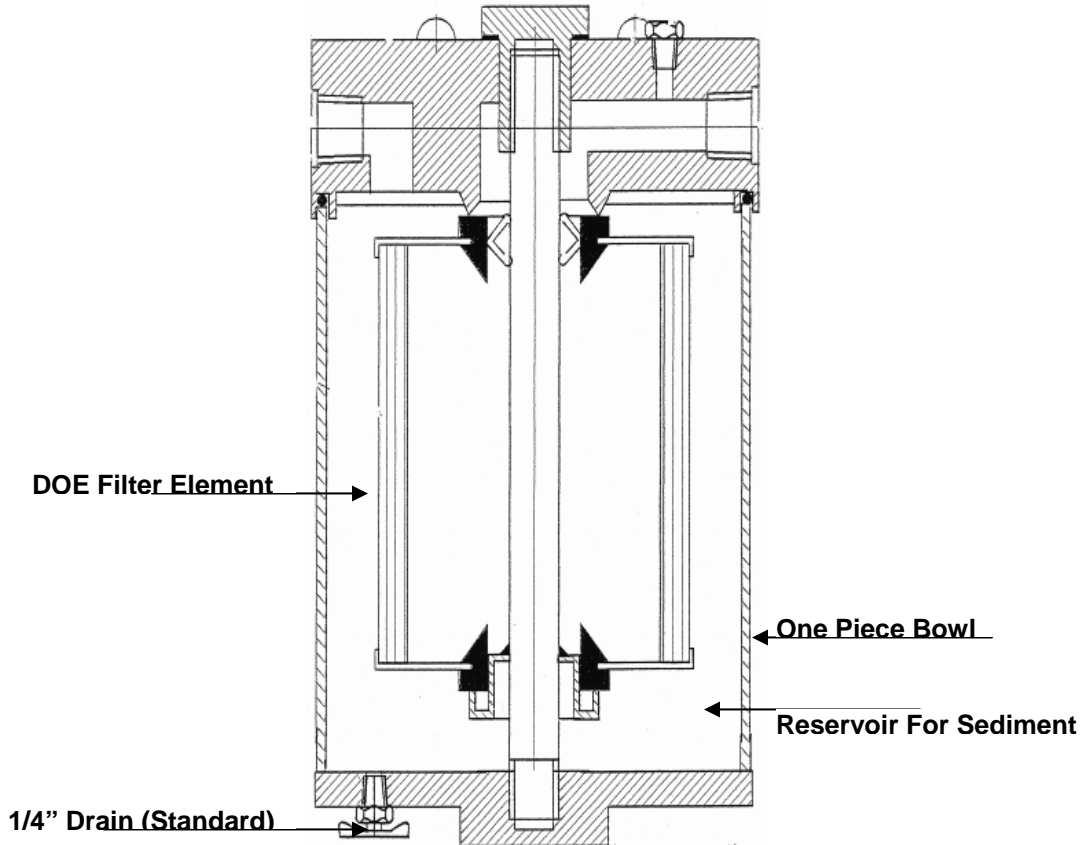
**Huntsman, Inc. • 2362 Warren Ave • Twin Falls, ID 83301**  
**(208) 733-2214 • Toll Free: (877) 733-2214 • Fax: (208) 733-2240**  
**www.huntsmaninc.com • mail@huntsmaninc.com**

# ONSTREAM FILTERS FOR LIQUID SERVICE

## ORDERING GUIDE

Body Model Element Size	Material Codes	Port Size (NPT)	Gaskets	Options	Accessories
816=4" 818=5" 820=10" 895=20" 897=30" Max. pressure on all units: 250 PSIG	SS=316SS S=304S	1-1/4" 2=3/8" 3=1/2" 4=3/4" 5=1" 6=1 1/2" 7=2"	V=Viton (standard) N=Neoprene B=Buna-N T=PTFE E=Ethylene Propylene	M=Bracket head D=Petcock Drain P=All stainless units come with SS plug	*Flanges *O <sub>2</sub> Cleaning *Consult UFS

Example: 820SS4VP



Housing Dimensions			Liquid Flows	
Base Model	Length	Head Diameter	Base Model	Max. Flow Rate
816	7 1/4"	4.00"	816	4 GPM
818	7 1/4"	4.00"	818	5 GPM
820	14"	4.00"	820	10 GPM
895	23 1/8"	4.00"	895	20 GPM
897	32"	4.00"	897	30 GPM

- Notes: (1) Add 0.25" to head diameter to all 800 series housings with 1" to 2" ports.  
 (2) Add 0.25" to overall height to all 800 series housings with 1/4", 3/8", 1/2", & 3/4" ports.  
 (3) Add 1.5" to overall height for 1 1/2" and 2" ported housings.



**Huntsman, Inc. • 2362 Warren Ave • Twin Falls, ID 83301**  
**(208) 733-2214 • Toll Free: (877) 733-2214 • Fax: (208) 733-2240**  
**www.huntsmaninc.com • mail@huntsmaninc.com**