

# FISCHBEIN

---

## *Portable Bag Closers*

---



### *The World Standard in Portable Sewing Machines.*

The concept of a portable sewing machine for bag closing was pioneered by the Fischbein Company in the 1940's. And, from the very first day, quality, durability and performance have been our standard for excellence ... that's why we have sold over 300,000 units worldwide.

This durable, compact machine weighs only 11 pounds and features a special noncorrosive finish, reinforced feed mechanism, pressor foot lifter and our patented lubrication system with oil pump and reservoir. The portable sewing machine's unique design enables it to work long, hard hours, anywhere.

Whether your business is agricultural or industrial, there is a Fischbein Portable Sewing Machine that will do the job:

**ECR-1:** Standard sewing or tape binding.

**ECR-12V:** Runs on standard motor vehicle battery.

**ECR-S:** Closing padded envelopes.

We've designed these portable sewing machines to easily handle your heaviest work load, in the factory or in the field. We've designed these portable sewing machines to easily handle your heaviest work load, in the factory or in the field. At Fischbein, we keep your needs in mind.

---

**HUNTSMAN, INC.**

888-812-3377

[www.huntsmaninc.com](http://www.huntsmaninc.com)  
[mail@huntsmaninc.com](mailto:mail@huntsmaninc.com)

---

# The World Standard in Portable Sewing Machines.

## ECR Series Specifications

**Weight:** 11 lbs. (5kg.)

**Dimensions:** 12 in.H x 9 in.W x 13 in.D  
(30cm x 23 cm x 33cm)

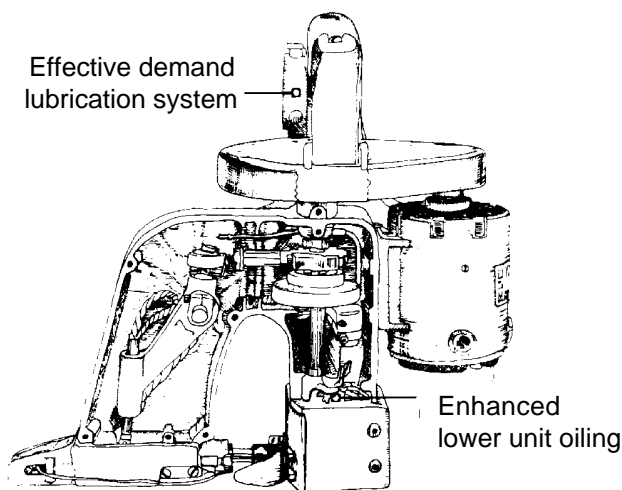
### Power Requirements

**AC:** 115 VAC, 1.1 amps  
220 VAC, .6 amps

**DC:** 12 VDC, 9 amps

**Thread:** 8 oz cone, Fischbein Premium Synthetic Thread

**Lubricant:** Fischbein 5-100 Oil



*Fischbein Portable Bag Closer*  
**HEAVY DUTY**

From paper to polypropylene, Fischbein's heavy duty portable bag closer will close your bags right, the first time. Our new heavy duty unit will conquer your toughest work load -factory or field. You can depend on the same qualities that have always been Fischbein standards, but can expect a whole lot more.

- Tougher, faster and packed with more power.
- Extended 18 month warranty.
- Fewer parts
- Faster and quieter. Padded handle

## Huntsman, Inc.

2362 Warren Ave. Twin Falls, ID 83301  
Sales line: (888) 812-3377 Fax: (208) 733-2240  
Visit us on the web at [www.huntsmaninc.com](http://www.huntsmaninc.com)  
or e-mail us at [mail@huntsmaninc.com](mailto:mail@huntsmaninc.com)