

824B

INSTALLATION & OPERATION

Dwg No. APR K0024



LR 22425

SFD-2_{PB} Special Installation Guidelines



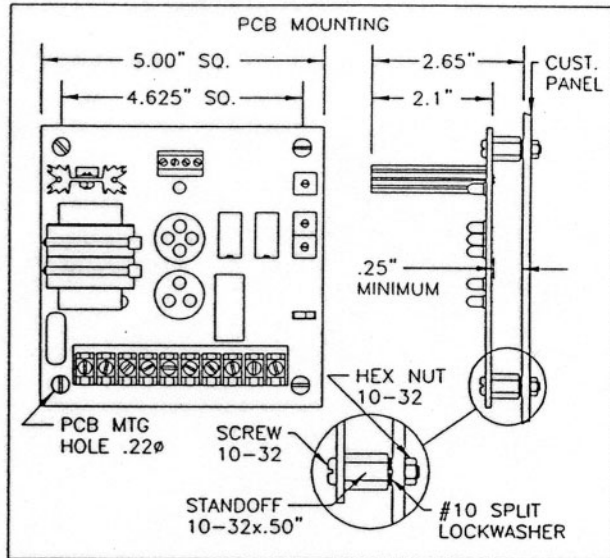
The SFD-2_{PS} (power supply / conditioner) is provided without a protective enclosure. Maintaining the approval classification for use in ordinary locations is contingent on adherence to the following installation requirements. Failure to comply with all requirements renders the approval classification null and void. For complete installation and operation instructions, See Bulletin 824.

Handling / Care

- 1) ESD Control- Do not remove PCB from antistatic bag until PCB is ready to install. Only touch the four corners of the PCB, never the components or traces.
- 2) Mechanical- Do not alter any physical aspects of the PCB. Consult the factory if damage is suspected.

Enclosure / PCB Mounting

- 1) Selection- Select enclosure (Type 1 minimum) which satisfies environmental (I.E. dusttight, watertight, etc) and shock protection requirements.
- 2) PCB Mounting- The PCB is configured in a dimensional pattern common with backpanels designed for enclosures sized 6" x 6". Mount PCB using the four corner holes and spacers provided.
- 3) Spacings- Insure a minimum of 1/4" free air space is provided around all electrical components, leads and traces, including space between the clipped component lead on the bottom side of PCB and the enclosure wall panel.



Electrical Installation

- 1) Power / Output- Connect power source to appropriate input lines (115Vac or 230Vac). Observe maximum ratings of output contacts when wiring.
- 2) Sensor- Connect the sensor terminal of the SFD-2_{PS} to Monitor Manufacturing's SFD-2_{SS} Sensor only. Any other connection may result in faulty operation.

DO NOT SCALE THIS DRAWING				
TOLERANCES: Standard Unless Specified Otherwise				
ANGULAR: ±1/2°	DECIMAL: XX=±.01	Rev.	Date	Apprv.
FRACTIONAL: ±1/64	XXX=±.005			Description
Material	Title		MONITOR	
	SPECIAL INSTALLATION GUIDELINES SFD-2PB		Elburn, Illinois 60119 U.S.A.	
Finish		Drawn MEN	Date 02/12/96	Dwg No. APR K0024
		Scale N.T.S.	Chkd	
QP-3310-1	THIS INFORMATION IS THE SOLE PROPERTY OF MONITOR MANUFACTURING. ANY COPYING, TRANSMISSION, USE OTHER THAN FOR WHICH IT WAS ORIGINALLY INTENDED IS PROHIBITED BY LAW, WITHOUT WRITTEN PERMISSION FROM MONITOR.			